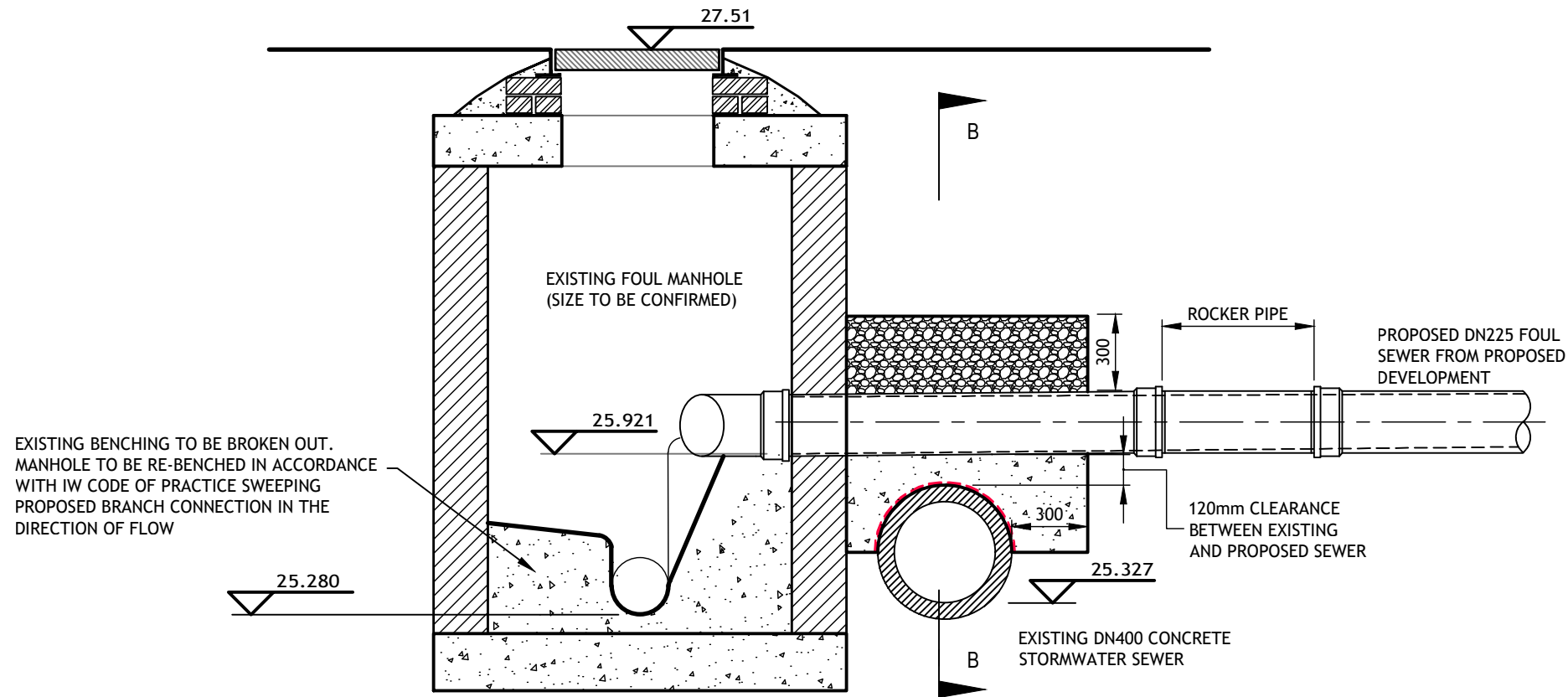
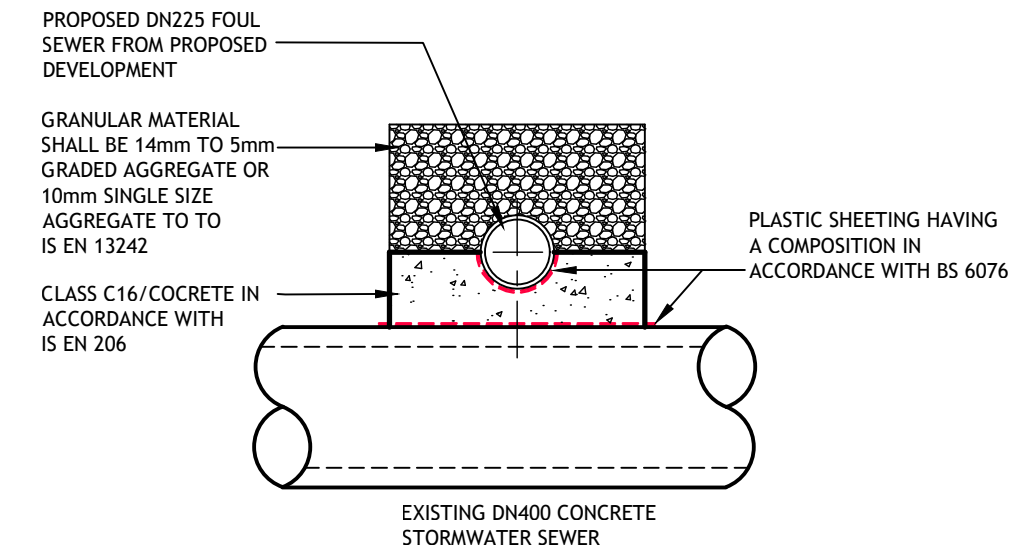


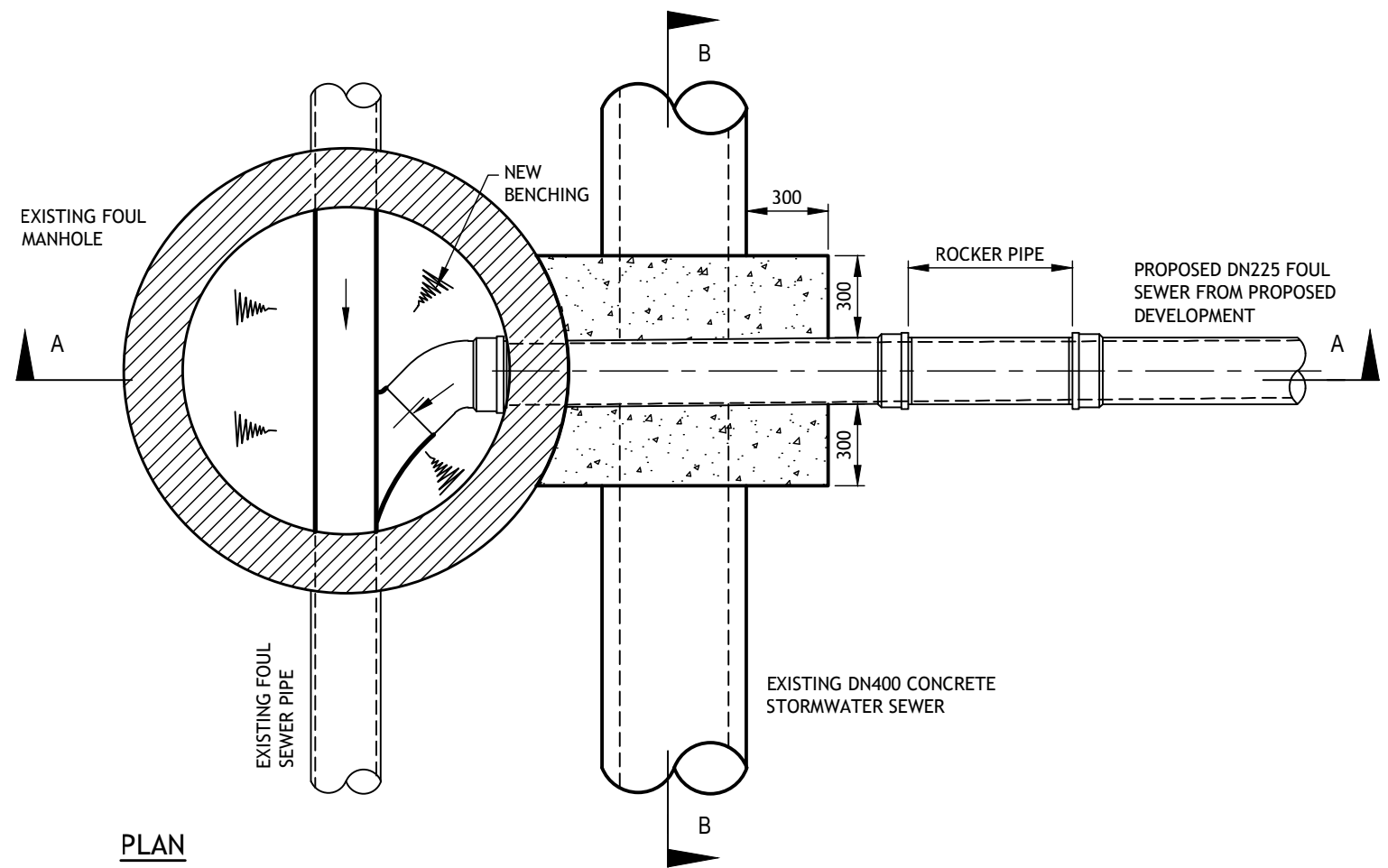
NOTE:
 PROPOSED CONNECTION DETAIL HAS BEEN AGREED IN PRINCIPLE WITH PAUL LOWRY, IRISH WATER AND MEATH COUNTRY COUNCIL WATER SERVICES DEPARTMENT



SECTION A-A
 SCALE 1:25



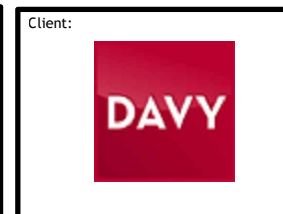
SECTION B-B
 SCALE 1:25



PLAN
 SCALE 1:25

Date Drawn: 02-05-2019
Drawn By: Seamus Keane
Date Issued: 28-04-2020
Issued By: S Buckley

Rev	Amendment	By	Date
PL0	PLANNING ISSUE	DP	20-09-2019
PL1	PLANNING ISSUE	SB	28-04-2020



Job: HOUSING DEVELOPMENT DULEEK
 Title: FOUL SEWER CONNECTION DETAIL

PUNCH consulting engineers
 Dublin|Limerick|Cork|Galway|Glasgow
 Carnegie House, Library Road, Dun Laoghaire, Co. Dublin, A96 C7W7
 IRL: +353 1 271 2200 www.punchconsulting.com

Stage: PLANNING
Scale @ A3: As Shown
Technician Check: P.J. Mulcahy
Engineer Check: Emma Tarpey
Approved: Donal Gallery
Drawing No: 172-439-016
Rev: PL1