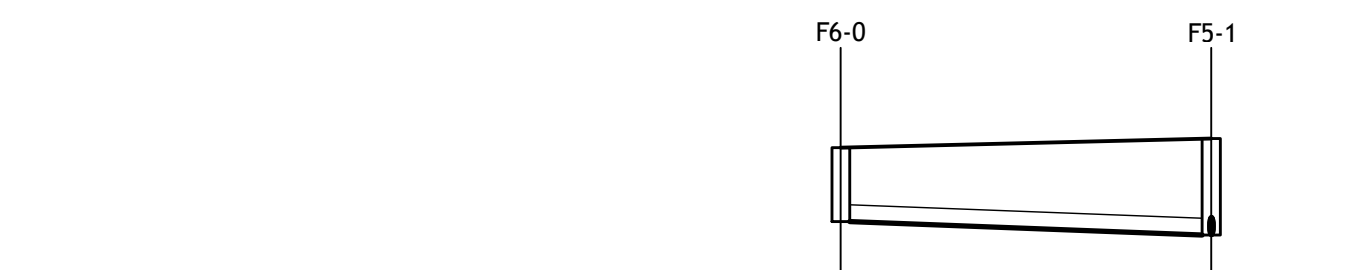


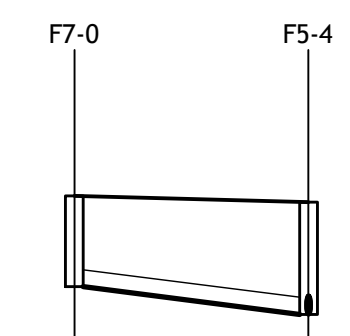
Link Name	Section Type	Slope	Cover Level	Invert Level	Length
5.000	225mm	1:150.0	28.872	27.830	45.740
5.001	225mm	1:159.9	28.802	27.525	60.913
5.002	225mm	1:170.4	28.123	27.144	57.750
5.003	225mm	1:199.9	27.717	26.805	58.572
5.004	225mm	1:200.3	27.988	26.502	23.039
5.005	225mm	1:199.2	27.869	26.387	7.571
5.006	225mm	1:200.7	27.973	26.349	26.087
5.007	225mm	1:200.0	28.159	26.219	21.195
5.008	225mm	1:201.9	28.283	26.113	9.894
5.009	225mm	1:200.2	27.508	26.064	5.004
5.010	225mm	1:199.4	27.430	26.039	7.977
			27.613	25.999	

PIPERUN F5



Link Name	Section Type	Slope	Cover Level	Invert Level	Length
6.000	225mm	1:140.0	28.680	27.700	24.499

PIPERUN F6



Link Name	Section Type	Slope	Cover Level	Invert Level	Length
7.000	225mm	1:42.4	28.048	26.867	15.491

PIPERUN F7