

Vert exaggeration = 5.0 Datum = 24.0

Link Name	1.000	1.001	1.002	1.003	1.004	1.005	1.006	1.007	1.008		
Section Type	225mm	225mm	225mm	225mm	225mm	225mm	225mm	225mm	225mm		
Slope	1:124.9	1:124.7	1:199.9	1:200.2	1:199.7	1:200.9	1:197.5	1:200.0	1:200.0		
Cover Level	28.823	28.570	28.711	28.143 28.116	28.200	28.354	28.236	28.154	27.854 27.831 28.042	27.613	27.480
Invert Level	27.842	27.420 27.420	27.232 27.232	26.890 26.890	26.835 26.835	26.540 26.540	26.485 26.485	26.155 26.155	25.972 25.972	25.921	25.921
Length	52.724	23.443	68.373	11.011	58.926	11.050	65.216	36.689	10.180		

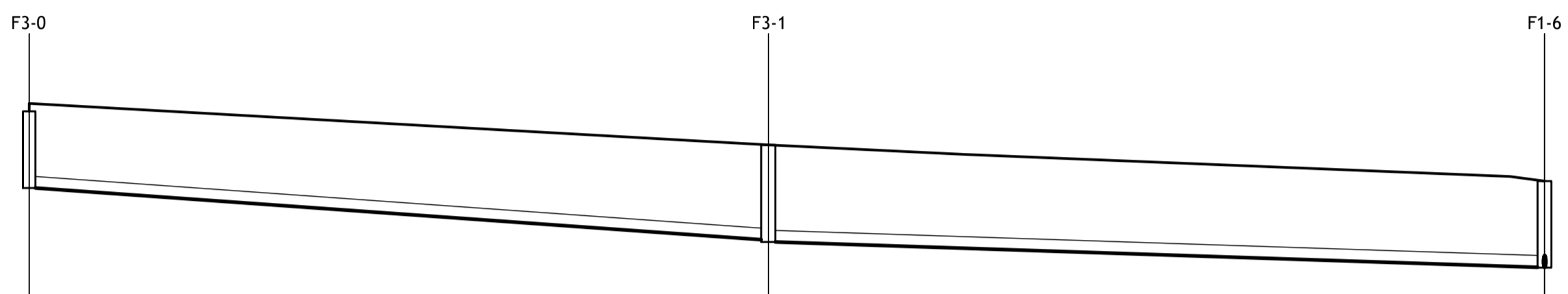
PIPERUN F1



Vert exaggeration = 5.0 Datum = 26.0

Link Name	2.000	
Section Type	225mm	
Slope	1:65.6	
Cover Level	29.269	28.711
Invert Level	27.850	27.232
Length	40.563	

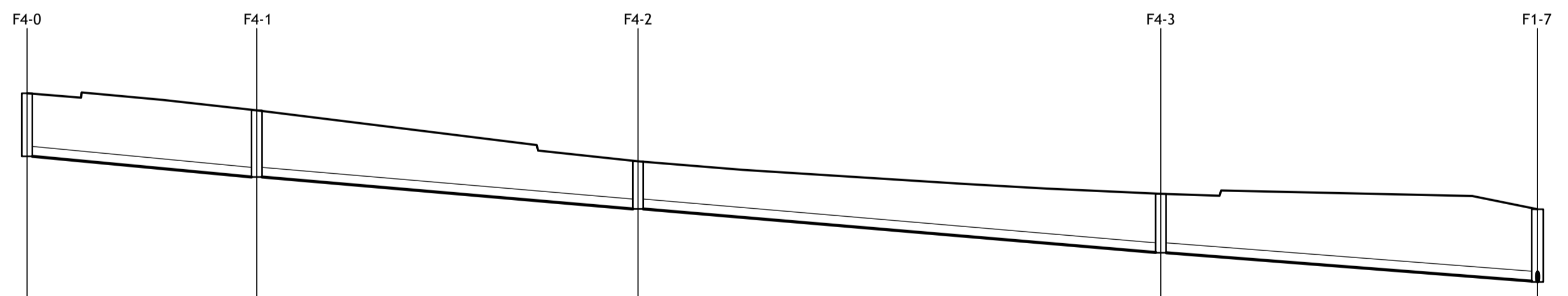
PIPERUN F2



Vert exaggeration = 5.0 Datum = 25.0

Link Name	3.000	3.001	
Section Type	225mm	225mm	
Slope	1:71.5	1:153.6	
Cover Level	29.500	28.855	28.154
Invert Level	28.022	27.024 26.981	26.493
Length	71.373	74.952	

PIPERUN F3



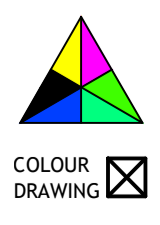
Vert exaggeration = 5.0 Datum = 25.0

Link Name	4.000	4.001	4.002	4.003		
Section Type	225mm	225mm	225mm	225mm		
Slope	1:55.1	1:60.0	1:60.0	1:66.2		
Cover Level	30.503 30.526	30.109	28.938	28.188 28.264	28.134	27.831
Invert Level	29.053	28.572 28.572	27.839 27.839	26.834 26.831	26.175	26.175
Length	26.482	43.965	60.312	43.434		

PIPERUN F4

© PUNCH Consulting Engineers

This drawing and any design hereon is the copyright of the Consultants and must not be reproduced without their written consent. All drawings remain the property of the Consultants. Figured dimension only to be taken from this drawing. Consultants to be informed immediately of any discrepancies before work proceeds.



Date Drawn:	May 2019
Drawn By:	S Buckley
Date Issued:	28-04-2020
Issued By:	S Buckley



Rev	Amendment	By	Date
PL0	PLANNING ISSUE	DP	20-09-2019
PL1	PLANNING ISSUE	JB	09-03-2020
PL2	PLANNING ISSUE	SB	28-04-2020



Job: HOUSING DEVELOPMENT DULEEK CO MEATH
 Title: FOUL DRAINAGE SECTIONS - SHEET 1 OF 2
PUNCH consulting engineers
 Dublin|Limerick|Cork|Galway|Glasgow
 Carnegie House, Library Road, Dun Laoghaire, Co. Dublin, A96 C7W7
 IRL: +353 1 271 2200 www.punchconsulting.com

Stage:	PLANNING
Scale @ A1:	Hor: 1/500, Ver: 1/100
Technician Check:	S Buckley
Engineer Check:	E Tarpey
Approved:	R Owen
Drawing No:	172-439-009
Rev:	PL2