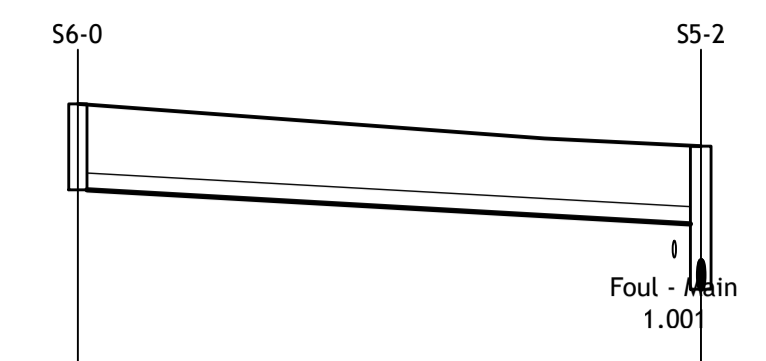


Vert exaggeration = 5.0 Datum = 25.0

Link Name	5.000	5.001	5.002	5.003
Section Type	225mm	225mm	375mm	375mm
Slope	1:169.7	1:169.0	1:323.2	1:322.5
Cover Level	28.857	28.608 28.587	28.722	28.166 28.155 28.221
Invert Level	27.406	27.103 27.103	26.979 26.829	26.622 26.622 26.584
Length	51.426	20.957	66.906	12.254

PIPERUN S5



Vert exaggeration = 5.0 Datum = 25.0

Link Name	6.000
Section Type	225mm
Slope	1:92.2
Cover Level	29.284
Invert Level	28.144
Length	41.202

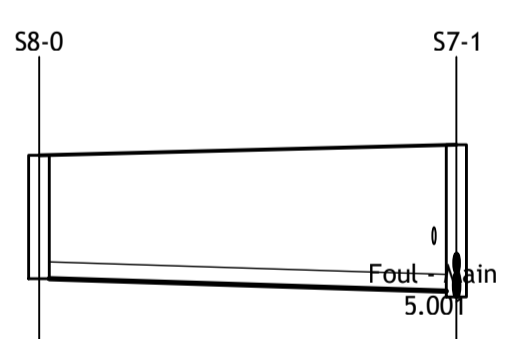
PIPERUN S6



Vert exaggeration = 5.0 Datum = 24.0

Link Name	7.000	7.001	7.002	7.003	7.005	7.006
Section Type	225mm	300mm	375mm	450mm	450mm	450mm
Slope	1:169.5	1:244.3	1:322.9	1:116.8	1:88.5	1:89.0
Cover Level	28.877	28.897	28.835	28.162	27.737	28.045
Invert Level	27.417	27.157	26.823	26.582 26.507	26.336 26.261	25.949 25.940 25.940 25.934
Length	44.079	58.884	55.215	36.441	2.319	18.422

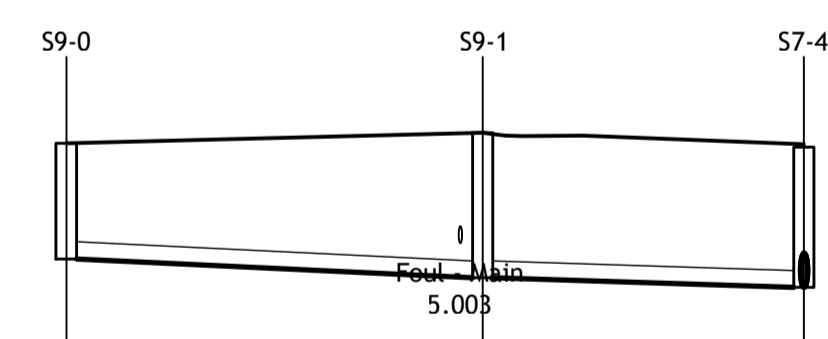
PIPERUN S7



Vert exaggeration = 5.0 Datum = 25.0

Link Name	8.000
Section Type	225mm
Slope	1:169.4
Cover Level	28.698
Invert Level	27.061
Length	27.606

PIPERUN S8



Vert exaggeration = 5.0 Datum = 24.0

Link Name	9.000	9.001
Section Type	225mm	225mm
Slope	1:110.0	1:168.6
Cover Level	27.854	27.996
Invert Level	26.325	26.075
Length	27.544	21.247

PIPERUN S9