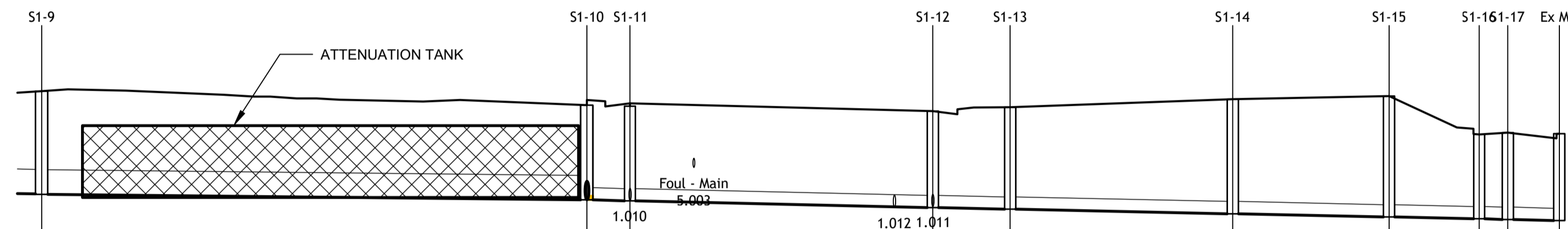


PIPERUN S1



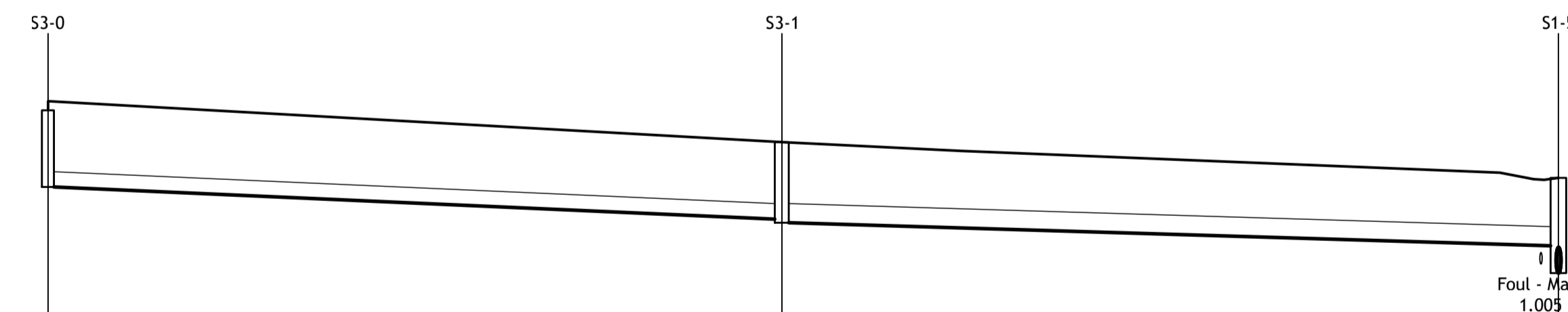
Link Name	1.009	1.010	1.011	1.012	1.013	1.014	1.015	1.016	1.017
Section Type	600mm	300mm	300mm	300mm	300mm	300mm	300mm	300mm	300mm
Slope	1:486.9	1:239.8	1:224.7	1:242.5	1:243.3	1:242.1	1:239.6	1:233.9	1:242.0
Cover Level	28.392	28.136	28.045	27.899	27.989	27.996	28.271	27.329	27.372
Invert Level	25.874 25.864	25.727 25.727	25.705 25.705	25.540 25.540	25.501 25.501	25.389 25.389	25.310 25.310	25.264 25.264	25.249 25.249
Length	66.711	5.276	37.077	9.459	27.249	19.123	11.023	3.509	6.291

PIPERUN S1 ...cont'd



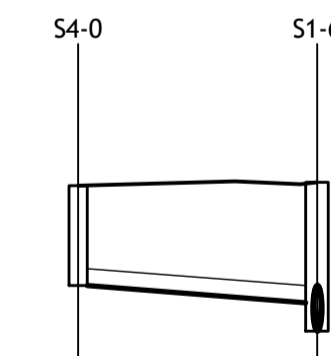
Link Name	2.000
Section Type	300mm
Slope	1:231.8
Cover Level	27.654
Invert Level	26.680
Length	31.529

PIPERUN S2



Link Name	3.000	3.001
Section Type	300mm	375mm
Slope	1:114.6	1:170.0
Cover Level	29.300	28.875
Invert Level	28.000	27.375 27.300
Length	71.636	75.809

PIPERUN S3



Link Name	4.000
Section Type	225mm
Slope	1:70.6
Cover Level	28.130 28.183
Invert Level	26.805 26.581
Length	15.811

PIPERUN S4



Rev	Amendment	By	Date
PL0	PLANNING ISSUE	DP	20-09-2019
PL1	PLANNING ISSUE	JB	09-03-2020
PL2	PLANNING ISSUE	SB	28-04-2020

